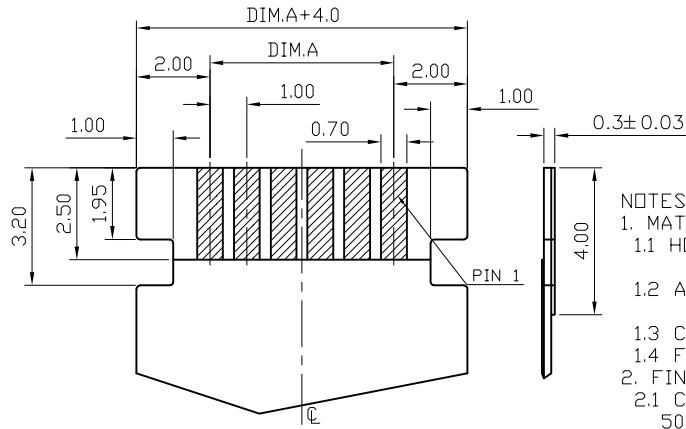
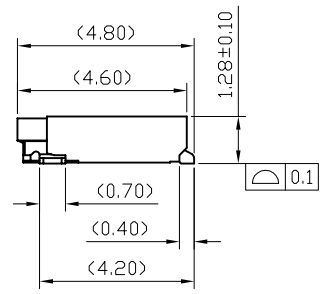
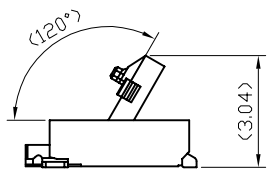
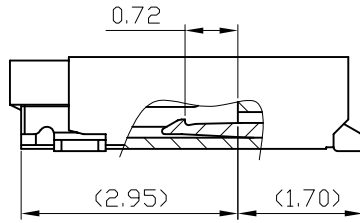
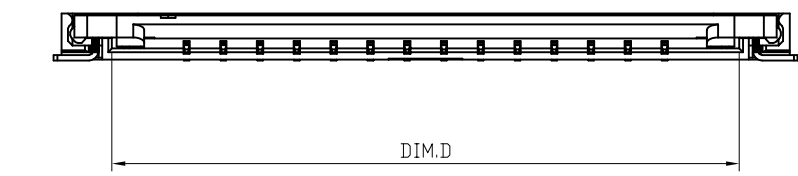
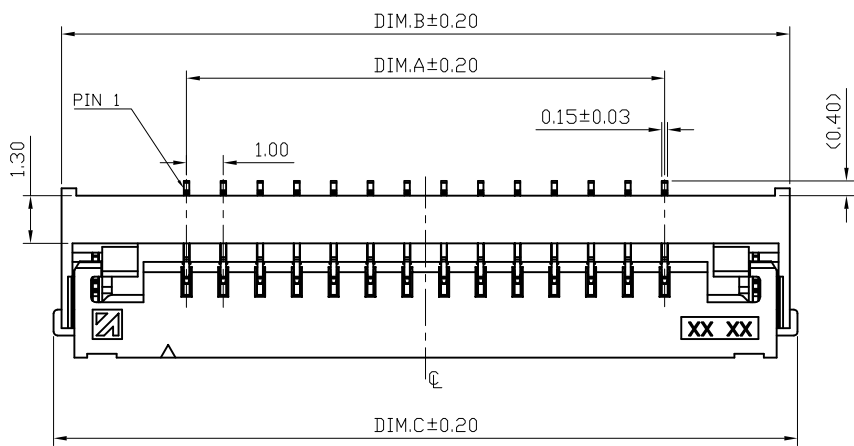


RECOMMENDED PCB LAYOUT
GENERAL TOLERANCE ±0.05



RECOMMENDED FPC/FFC DIMENSIONS
GENERAL TOLERANCE ±0.05

- NOTES:
- MATERIAL:
 - HOUSING: THERMOPLASTIC, HIGH TEMP., UL94V-0;
 - ACTUATOR: THERMOPLASTIC, HIGH TEMP., UL94V-0;
 - CONTACT: COPPER ALLOY
 - FITTING NAIL: SUS
 - FINISH:
 - CONTACT:
 - 50μ" MIN. NICKEL UNDERPLATING OVERALL.
 - GOLD FLASH PLATED ON CONTACT AND SOLDER AREA
 - FITTING NAIL:
 - 50μ" MIN. NICKEL UNDERPLATING OVERALL.
 - 80μ" MIN. MATT TIN ON SOLDER AREA
 - SPEC. PLS. REFER TO PS-52545-XXXX-XXX
 - PACKAGE PLS REFER TO 52546-XXXX-U-TRP
 - PART NUMBER



52546-XXX X X-XXX

XXX	HOUSING COLOR	ACTUATOR COLOR
001	NATURAL	BLACK

NO OF CKT: _____

PACKING: 0: TAPE & REEL

PLATING: 2: GOLD FLASH ON CONTACT

CKTS	DIM.A	DIM.B	DIM.C	DIM.D	DIM.E	DIM.F
014	13.0	19.8	20.23	17.06	17.7	20.4

QUALITY SYMBOLS MAJOR Ⓜ CRITICAL Ⓢ GENERAL TOLERANCES (UNLESS SPECIFIED) X ±0.5 .X ±0.25 .XX ±0.15 .XXX ±0.1 ANGLES ±2°	DRAWN BY Zhu,Wei DATE 21/08/12			
	CHECKED BY Xu, ZhiYong DATE 21/08/12		TITLE 1.0 PITCH FPC/FFC CONNECTOR	
	APPROVED BY Xu, ZhiYong DATE 21/08/12	UNITS mm	SIZE A4	RFO NO. N/A
	SCALE 5:1	SHEET NO. 1 OF 1	REV A	DWG NO. 52546-XXXX-XXX